



FRX16 FRX20

Electric Sit-down
Reach Truck
1.6/2.0t

Distinguishing mark						
1.1	Manufacturer				F/FIL	F/FIL
1.2	Model designation				FRX16	FRX20
1.3	Drive unit				Battery	
1.4	Operator type				Seated	
1.5	rated capacity	Q	t		1.6	2
1.6	Load center distance	c	mm		600	
1.9	Wheelbase	y	mm		1454 ^①	1524 ^①
Weight						
2.1	Service weight (include battery)		kg		2940 ^②	2945 ^②
2.2	Axle loading, fork advanced, unladen driving side/loading side		kg		1700/1310	
2.3	Axle loading, fork retracted, unladen driving side/loading side		kg		1990/1020	
2.4	Axle loading, fork advanced, laden driving side/loading side		kg		820/3820	
2.5	Axle loading, fork retracted, laden driving side/loading side		kg		1640/3000	
Types, Chassis						
3.1	Tyre type driving wheels/loading wheels				Polyurethane	
3.2	Tyre size, driving wheels (diameter×width)		mm		Φ343×140	
3.3	Tyre size, loading wheels (diameter×width)		mm		Φ310×118 ^③	
3.4	Tyre size, caster wheels (diameter×width)		mm		Φ102×51 ^④	
3.5	Wheels, number driving, caster/loading (x=drive wheels)				1x, 2 ^⑤	
3.6	Track width, front, driving wheels	b10	mm		0	
3.7	Track width, rear, loading wheels	b11	mm		1148 ^③	
Dimensions						
4.1	Tilt of mast/fork carriage forward/backward	α/ β	°		2/4	
4.2	Height, mast lowered	h1	mm		2130 ^③	
4.3	Free lift (load backrest)	h2	mm		120 ^③	
4.4	Lift height	h3	mm		3000 ^③	
4.5	Height, mast extended	h4	mm		4065 ^③	
4.7	Height of overhead guard (cabin)	h6	mm		2210	
4.8	Seat height/standing height	h7	mm		1200	
4.10	Height of wheel arms	h8(mm)	mm		330	
4.19	Overall length (minimum)	l1	mm		2470 ^①	
4.20	Length to face of forks	l2	mm		1400 ^①	
4.21	Overall width	b1/ b2	mm		1260/1270 ^③	
4.22	Fork dimensions	s/ e/ l	mm		40×100×1070	40×120×1070
4.23	Fork carriage class/type A, B		mm		A	
4.24	Fork carriage width	b3	mm		990	
4.25	Outside width of the forks	b5	mm		200/770	240/770
4.26	Distance between wheel arms/loading surfaces	b4	mm		915	
4.28	Reach distance	l4	mm		520 ^①	
4.31	Ground clearance, laden, below mast	m1	mm		70	
4.32	Ground clearance, center of wheelbase	m2	mm		20 ^③	
4.34.1	Aisle width for pallets 1000 × 1200 crossways	Ast	mm		2827 ^①	2842 ^①
4.34.2	Aisle width for pallets 800 × 1200 lengthways	Ast	mm		2891 ^①	2893 ^①
4.35	turning radius	Wa	mm		1705 ^①	1770 ^①
4.37	Length across wheel arms (exclusive fork)	l7	mm		1865 ^①	1935 ^①
Performance data						
5.1	Travel speed, laden/ unladen		km/ h		10/11	9/9.5
5.2	Lifting speed, laden/ unladen		m/ s		0.45/0.52	0.40/0.45
5.3	Lowering speed, laden/ unladen		m/ s		0.45/0.38	0.44/0.40
5.4	Reaching speed, laden / unladen		m/ s		0.1/0.1	
5.8	Max. gradeability, laden/unladen		%		10/15	
5.10	Service brake type				Electromagnetic	
	Park brake type				Electromagnetic	
Electric-engine						
6.1	Drive motor rating S2 60 min		kW		6.4	
6.2	Lift motor rating at S3 15%		kW	11	8.6	13
6.3	The maximum allowed size battery		mm	1220×355×778	1220×427×778	
6.4	Battery voltage/nominal capacity K5		V/ Ah	48/500 ^④	48/400 ^④	48/500 ^④
6.5	Battery weight		kg	925 ^④	745 ^④	925 ^④
Addition data						
8.1	Type of drive unit				AC	
10.5	Steering type				Electronic	
10.7	Sound pressure level at the driver's ear		dB (A)		75	

- ①、②、③、④、⑤、⑥ in the parameters is optional configuration , Please see the corresponding schedule ;
- ③ in the FRX20 parameters, When mast lifting height $h_3 \geq 10m$, tyre size of loading wheels for $\Phi 310 \times 208mm$, loading wheels track width for 1238mm, Overall width for 1260/1450mm, center of wheelbase at ground clearance for 20mm .
- ④ in the FRX16 parameters , with two caster wheels and size for $\Phi 102 \times 51mm$ When mast lifting height $h_3 \geq 8m$;
⑤ in the FRX20 parameters , with two caster wheels and size for $\Phi 102 \times 51mm$ When mast lifting height $h_3 < 10m$.

①Dimensions(mm)

with side shift		FRX16						FRX20								
Mast style		2-stage mast	3-stage mast	3-stage mast	2-stage mast	3-stage mast	3-stage mast	3-stage mast	2-stage mast	3-stage mast	3-stage mast	3-stage mast				
Lift height h ₃		h ₃ < 7m	h ₃ ≤ 7.5m	8m ≤ h ₃ ≤ 9.5m	h ₃ < 7m	h ₃ ≤ 7.5m	8m ≤ h ₃ ≤ 9.5m	10m ≤ h ₃ ≤ 11m	h ₃ < 7m	h ₃ ≤ 7.5m	8m ≤ h ₃ ≤ 9.5m	10m ≤ h ₃ ≤ 11m				
Battery capacity		≤600Ah						700Ah, 750Ah								
Wheelbase	y	1454	1454	1524	1524	1524	1594	1594	1524	1524	1594	1594				
Overall length (minimum)	l1	2472	2498	2503	2472	2498	2503	2507	2542	2568	2573	2577				
Length to face of forks	l2	1402	1428	1433	1402	1428	1433	1437	1472	1498	1503	1507				
Reach distance	l4	520	495	555	585	560	625	625	515	490	555	555				
Aisle width for pallets 1000×1200 crossways	Ast	2827	2847	2864	2842	2860	2884	2886	2894	2913	2934	2937				
Aisle width for pallets 800×1200 lenthways	Ast	2891	2914	2921	2893	2917	2928	2932	2957	2980	2991	2995				
Aisle width for pallets 1000×1200 lenthways	Ast	2932	2958	2967	2941	2963	2977	2981	3002	3024	3037	3041				
Aisle width for pallets 800×1200 crossways	Ast	2686	2703	2728	2709	2725	2757	2760	2752	2769	2798	2800				
Turning radius	Wa	1705			1770			1840			1770			1840		
Length across wheel arms (exclusive fork)	l7	1865			1935			2005			1935			2005		

②Service weight (include battery)

Mast height (mm)	Service weight (kg)	
	FRX16	FRX20
2-stage mast		
3000	2940	2945
3300	2970	2975
3640	3000	3005
4000	3030	3035
4300	3060	3065
4520	3090	3095
5000	3120	3125
5480	3150	3155
6000	3180	3185
		3595
3-stage mast		
4050	3240	3245
4500	3290	3295
5000	3340	3345
5500	3390	3395
6000	3440	3445
6500	3490	3495
7000	3540	3545
7500	3590	3595
8000	3870	3875
8500	3925	3930
9000	3980	3985
9500	4035	4040
10000		4570
10500		4630
11000		4690
12000		4810

③Battery

type	FRX16		FRX20		
	3HPzS 400	4HPzS 500	4HPzS 600	5HPzS 700	5HPzS 750
Capacity(Ah)	3HPzS 400	4HPzS 500	4HPzS 600	5HPzS 700	5HPzS 750
Battery weight (kg)	745	925	935	1115	1140

FRX16-20		2-stage mast:			
Lift height	Lowered mast height	Free lift		Extended mast height	
h3	h1	h2		h4	h4(*)
2700	1980	120		3765	3280
3000	2130	120		4065	3580
3300	2280	120		4365	3880
3640	2450	120		4705	4220
4000	2630	120		5065	4580
4300	2780	120		5365	4880
4520	2960	160		5585	5140
5000	3200	160		6065	5620
5480	3460	160		6545	6120
6000	3720	160		7065	6640

Note: (*) for without backrest

FRX16-20		3-stage mast ($\leq 7500\text{mm}$):			
Lift height	Lowered mast height	Free lift		Extended mast height	
h3	h1	h2	h2(*)	h4	h4(*)
4050	1980	915	1350	5115	4680
4500	2130	1065	1500	5565	5130
5000	2280	1215	1700	6065	5580
5500	2450	1385	1860	6565	6090
6000	2630	1565	2000	7065	6630
6500	2780	1715	2200	7565	7080
7000	3050	1985	2440	8065	7610
7500	3220	2155	2640	8565	8120

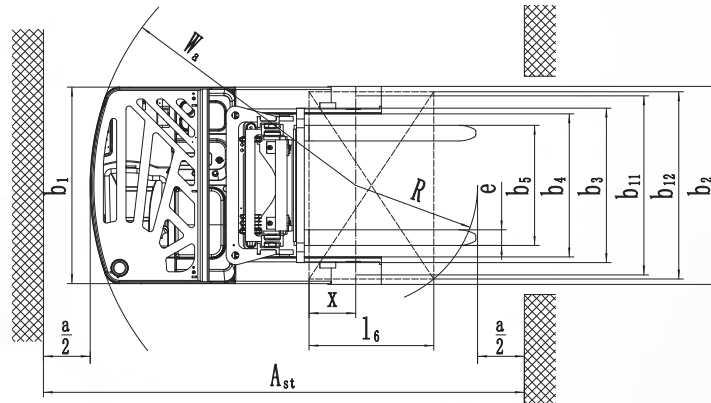
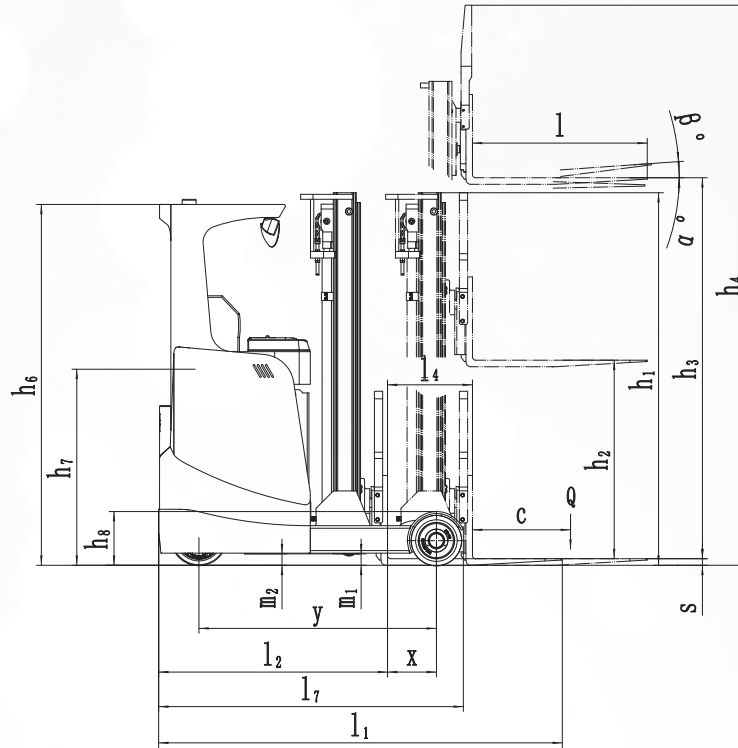
Note: (*) for without backrest

FRX16-20		3-stage mast ($8000\text{mm} \leq h3 \leq 9500\text{mm}$):			
Lift height	Lowered mast height	Free lift		Extended mast height	
h3	h1	h2	h2(*)	h4	h4(*)
8000	3390	2325	2800	9065	8590
8500	3610	2545	3020	9565	9090
9000	3770	2705	3150	10065	9590
9500	3940	2875	3340	10565	10090

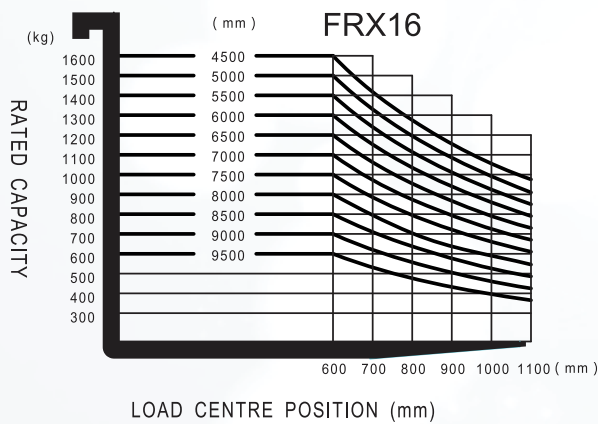
Note: (*) for without backrest

FRX16-20		3-stage mast ($\geq 10000\text{mm}$):			
Lift height	Lowered mast height	Free lift		Extended mast height	
h3	h1	h2	h2(*)	h4	h4(*)
10000	4160	3095	3560	11065	10585
10500	4330	3265	3740	11565	11090
11000	4490	3425	3875	12065	11590
12000	4660	3595	4045	12565	12090

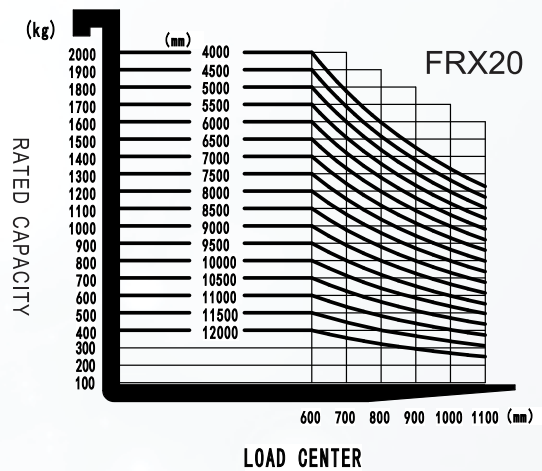
Note: (*) for without backrest



RATED CAPACITIES GRAPH



RATED CAPACITIES GRAPH





OPTION	FRX16	FRX20
Driving pedal	—	—
Electronic Power steering	●	●
Battery capacity	●500Ah ○400/600/700/750Ah	●500Ah ○400/600/700/750Ah
Lateral change battery	○	○
Cold storage	○	○
Side shift	●	●
Front light and warning light	●	●
Rearview mirror	●	●
Hummer	○	○
Height display	—	—
Camera	○	○
Fire extinguisher	○	○
The front wheel side guard	○	○
Drive-in Rack	○	○
Seat switch	●	●
Water auto-fillingsystem	○	○

Note: ● standard ○ option — NA