



# FS 20

Stacker High Performance / Walkie Models  
Top Speedy Setup & High Degree Of Mobility  
Top Driving Speed  
Option Lithium Batteries

## Stacker2.0t FS20

Distinguishing mark				
1.1	Manufacturer			F/F-IL
1.2	Model designation			FS20
1.3	Drive unit			Battery
1.4	Operator type			Pedestrian
1.5	rated capacity	Q	kg	2000
1.6	Load center distance	c	mm	600
1.8	Load distance, centre of drive axle to fork	x	mm	693
1.9	Wheelbase	y	mm	1305
Weight				
2.1	Service weight (include battery)		kg	1170
2.2	Axle loading, laden driving side/loading side		kg	850/2320
2.3	Axle loading, unladen driving side/loading side		kg	780/390
Types, Chassis				
3.1	Tyre type Driving wheels/Loading wheels			PU/PU
3.2	Tyre size, driving wheels (diameter×width)		mm	Φ230×75
3.3	Tyre size, loading wheels (diameter×width)		mm	Φ85×70
3.4	Tyre size, caster wheels (diameter×width)		mm	Φ130×55
3.5	Wheels, number driving, caster/loading (x=drive wheels)		mm	1x +1/4
3.6	Track width, front, driving side	b <sub>10</sub>	mm	538
3.7	Track width, rear, loading side	b <sub>11</sub>	mm	380
Dimensions				
4.2	Height, mast lowered	h <sub>1</sub>	mm	2020
4.3	Free lift	h <sub>2</sub>	mm	100
4.4	Lift height	h <sub>3</sub>	mm	2912
4.5	Height, mast extended	h <sub>4</sub>	mm	3465
4.9	Height drawbar in driving position min./max.	h <sub>14</sub>	mm	715/ 1200
4.15	Lowered height	h <sub>13</sub>	mm	88
4.19	Overall length	l <sub>1</sub>	mm	1940
4.20	Length to face of forks	l <sub>2</sub>	mm	787
4.21	Overall width	b <sub>1</sub>	mm	800
4.22	Fork dimensions	s/ e/ l	mm	60×190×1150
4.24	Fork carriage width	b <sub>3</sub>	mm	680
4.25	Outside width of the forks	b <sub>5</sub>	mm	600
4.32	Ground clearance, center of wheelbase	m <sub>2</sub>	mm	18
4.34.1	Aisle width for pallets 1000 × 1200 crossways	Ast	mm	2465
4.34.2	Aisle width for pallets 800 × 1200 lengthways	Ast	mm	2440
4.35	Turning radius	Wa	mm	1589
Performance data				
5.1	Travel speed, laden/ unladen		km/ h	4.5/5.0
5.2	Lifting speed, laden/ unladen		m/ s	0.11/0.16
5.3	Lowering speed, laden/ unladen		m/ s	0.32/0.23
5.4	Reaching speed, laden / unladen		m/ s	0.16/0.12
5.8	Max. gradeability, laden/unladen		%	6/12
5.10	Service brake type			Electromagnetic
Electric engine				
6.1	Drive motor rating S2 60 min		kW	1.1
6.2	Lift motor rating at S3 15%		kW	3.0
6.3	The maximum allowed size battery		mm	788×180×600
6.4	Battery voltage/nominal capacity K5		V/ Ah	24/280
6.5	Battery weight		kg	240
Addition data				
8.1	Type of drive unit			AC
10.5	Steering type			Machanical Steering
10.7	Sound pressure level at the driver's ear		dB (A)	74

If there are improvements of technical parameters or configurations, no further notice will be given.  
The diagram shown may contain non-standard configurations.

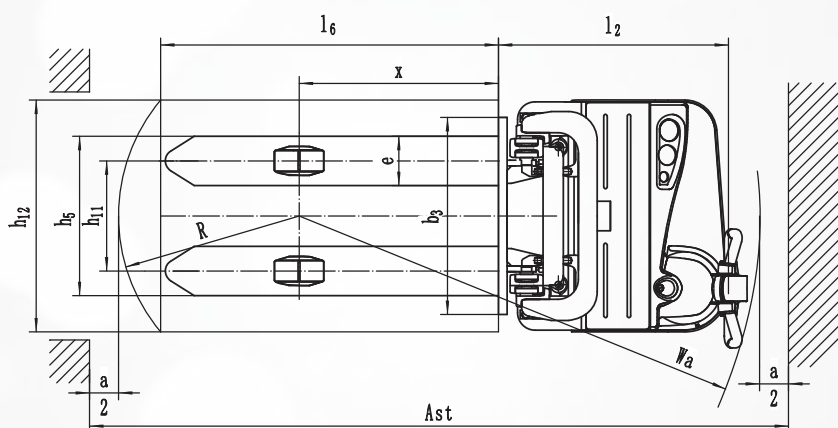
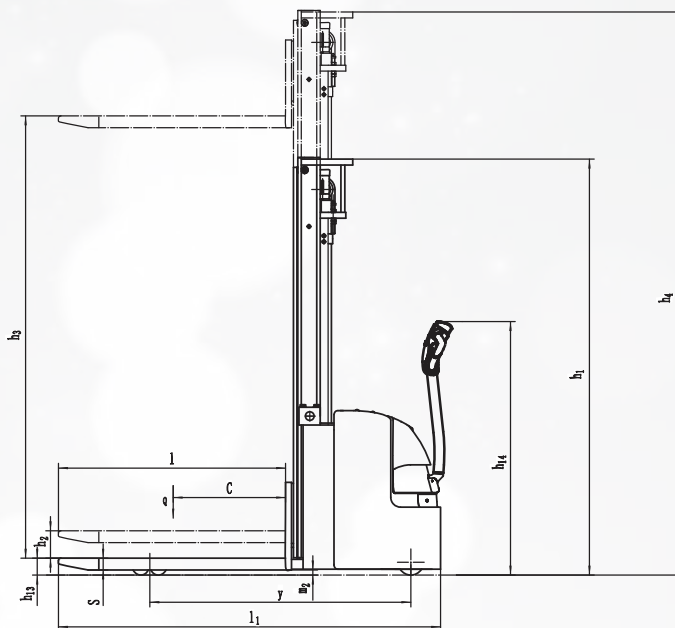
## Mast Option

Lift h3+h13 (mm)	mast types	Lowered mast height h1 (mm)	Free lift h2 (mm)	Extended mast height h4 (mm)
2700	Duplex ZT	1870	100	3165
3000		2020	100	3465
3300		2170	100	3765
3600		2320	100	4065
3900		2470	100	4365
4170		2600	100	4625
4000	Triplex DZ	1830	1390	4470
4500		2030	1590	4970
4800		2130	1690	5270

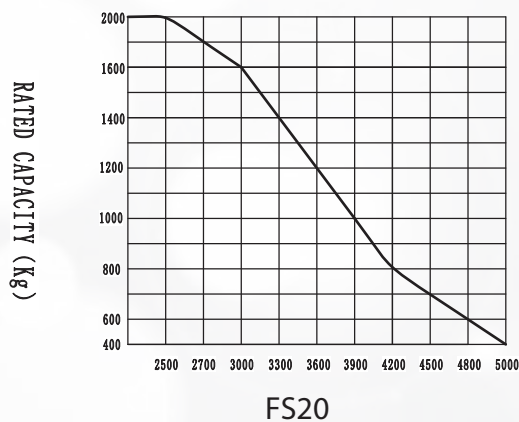
## Option

Options		FS20
3	Fork length	●1150○1220
4	Fork width	●600○685
10	Driving wheel	●PU○Rubber wheel/PU wheel with Pattern
11	Balance wheel	●
15	cold storage	○
16	Mast screen	○
17	Battery indicator with hour meter	●
18	Battery indicator without hour meter	○
19	Battery capacity	●280AH
20	Lateral change battery	●
22	Water auto-filling system	○
25	Vertical handler working	○
26	Proportional lifting	○
27	Height limitation	●
30	Side shift	—
31	half speed function in turning	—
32	Guard arm	—

Note: ● standard ○ option — NA



RATED CAPACITIES GRAPH



Lifting Height